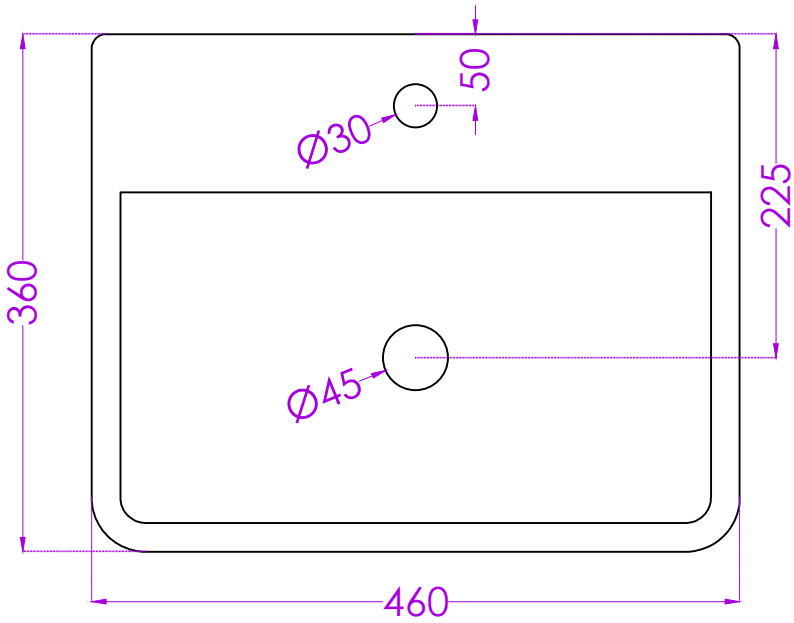


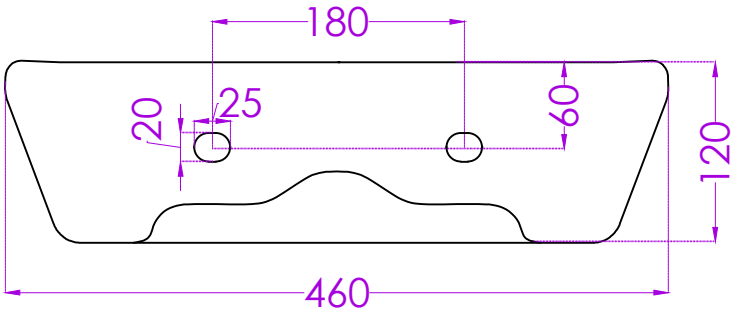
AVANTE G3715MPW0203

GERMFREE WASH BASIN

JOHNSON



PLAN



BACK